

Assembly and Installation Instructions

Easy-UV Ti - 5-15 m³/h

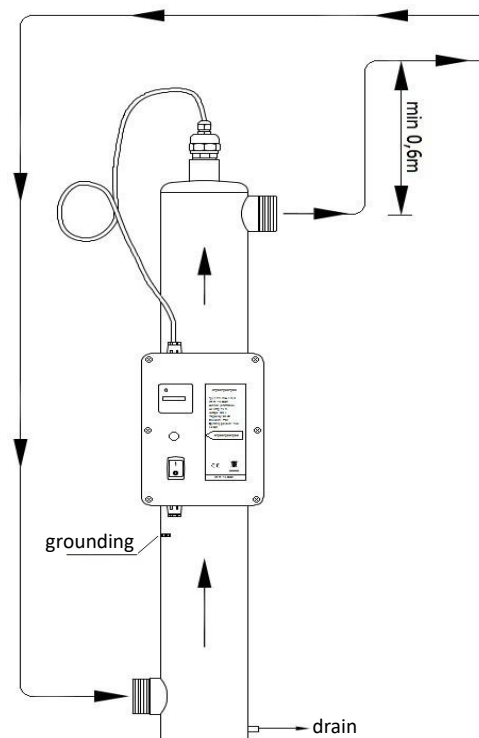
If the following instructions are not followed, exactly, the manufacturer cannot accept liability for any resulting damage to the device itself, the environment, property, or personal injury.

Your safety is our concern!

1. Assembly:

- 1.1 The Easy-UV is built according to modern state of the art technology and safety measures. It is important to keep in mind that this device is made to sterilize bathing water of swimming pools, whirlpools, and swim ponds, while the pump is running. It is strictly forbidden to change and/or modify the device. Anybody involved with the installation, start-up, use, maintenance, and/or repair of this device must be qualified and carefully follow the instructions.
- 1.2 This device has not been designed for use by individuals (including children) with physical, mental, or sensory disabilities, or people who lack the necessary experience and/or knowledge unless under the supervision of someone entrusted with their safety or instructed by that person in how the device should be used.
- 1.3 Only a specialized electrical technician may operate the device following the DIN VDE 0100 safety standards.
- 1.4 If the Easy-UV is handled incorrectly the manufacturer is not responsible for potential damages, accidents, or injuries.
- 1.5 The device gets installed into the water circuit and does not need its own pump. To avoid the level of efficiency from dropping, install the Easy-UV after the filter. This will keep dirt particles from washing into the device. We also recommend the installation of the Easy-UV before the heat exchanger because a rise in temperature would lower the level of efficiency.
- 1.6 Mount the device with the three-part connector to the water circuit. For maintenance we recommend installing a ball valve onto the primary and secondary pipe.
- 1.7 Be careful not to wash any metals into the Easy-UV device when connecting it to the water circuit.
- 1.8 The Easy-UV should be mounted so it can always be completely full of water or completely empty. During the off-season, it can also be completely drained.
- 1.9 Make sure not to exceed the following water parameters:
 - Chloride content: max. 3000 mg/l
 - Free Chlorine: unlimited
 - PH: max. 6,8 – 7,8

2. Installation:



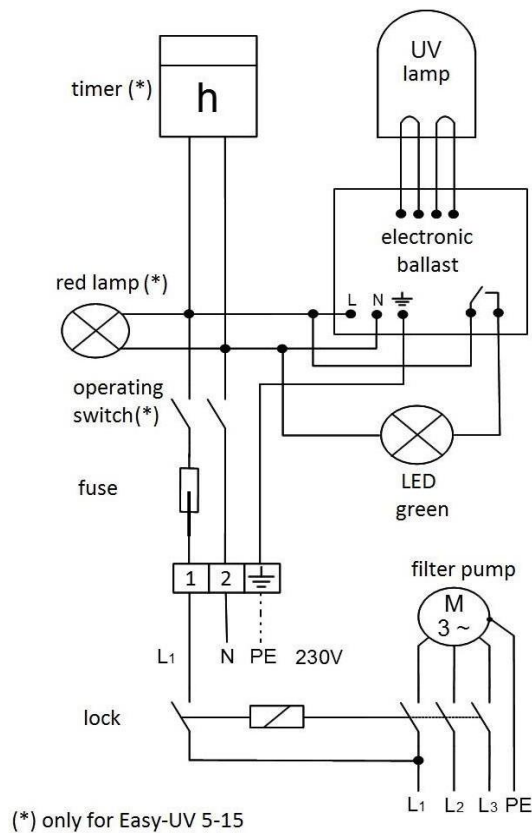
3. Safety Instructions:

- 3.1 Don't connect the device to the circuit during maintenance. Disconnect it properly and carefully from the circuit and make sure it won't get turned on unintentionally.
- 3.2 There cannot be any water pressure in the device during maintenance work.
- 3.3 Always wear gloves while you are doing maintenance work while the reactor case is open.

4. Power Connection:

- 4.1 Power supply: 230 Volt, 50 Hz.
- 4.2 Install a FI-safety switch 0,03 A into the power connection.
- 4.3 The device must be connected, electrically, through the filter pump and can only be operated with a running pump. (see circuit diagram)
- 4.4 The ground wire (PE) must be connected in the control box and to the reactor case. All metal parts in the filter room must be included in the equipotential bonding.

5. Circuit Diagram:



6. Mode of Operation:

- 6.1 The device can be switched on or off with the power switch (O/I). The red indicator lamp shows that there is power available.
- 6.2 Switch the power switch to I. As soon as there is power, the power switch will turn red, and the UV-C lamp will start.
- 6.3 The UV-C lamp is ready to operate when the indicator light is green. If the green operating lamp doesn't light up or if it switches off, either the controller or the lamp is damaged. Disinfection is not taking place!
- 6.4 The flow rate in the device should not exceed the indicated maximum values; otherwise, the time in the reactor will be too short. This might lead to insufficient effectiveness. In the bypass-system bigger bathing water pumps can be used.
- 6.5 It is important to find out the UV-lamp's exact lifetime either by using the timer or by calculating it. After 9000 hours the lamp won't be effective anymore and must be changed.
- 6.6 For the device to remain effective, make sure that the quartz tube is always clean.
- 6.7 Always use original spare-parts. Otherwise, the full functionality of the Easy-UV cannot be guaranteed.

7. Important General Note:

Please save these Installation and Assembly Instructions and keep them on file for further reference. Thank you!

Update: 12.10.2023

Max Daprà sas - Daprà Andreas & Co, Via Graf 2, I-39050 Fiè allo Sciliar (BZ)

Technical changes reserved.