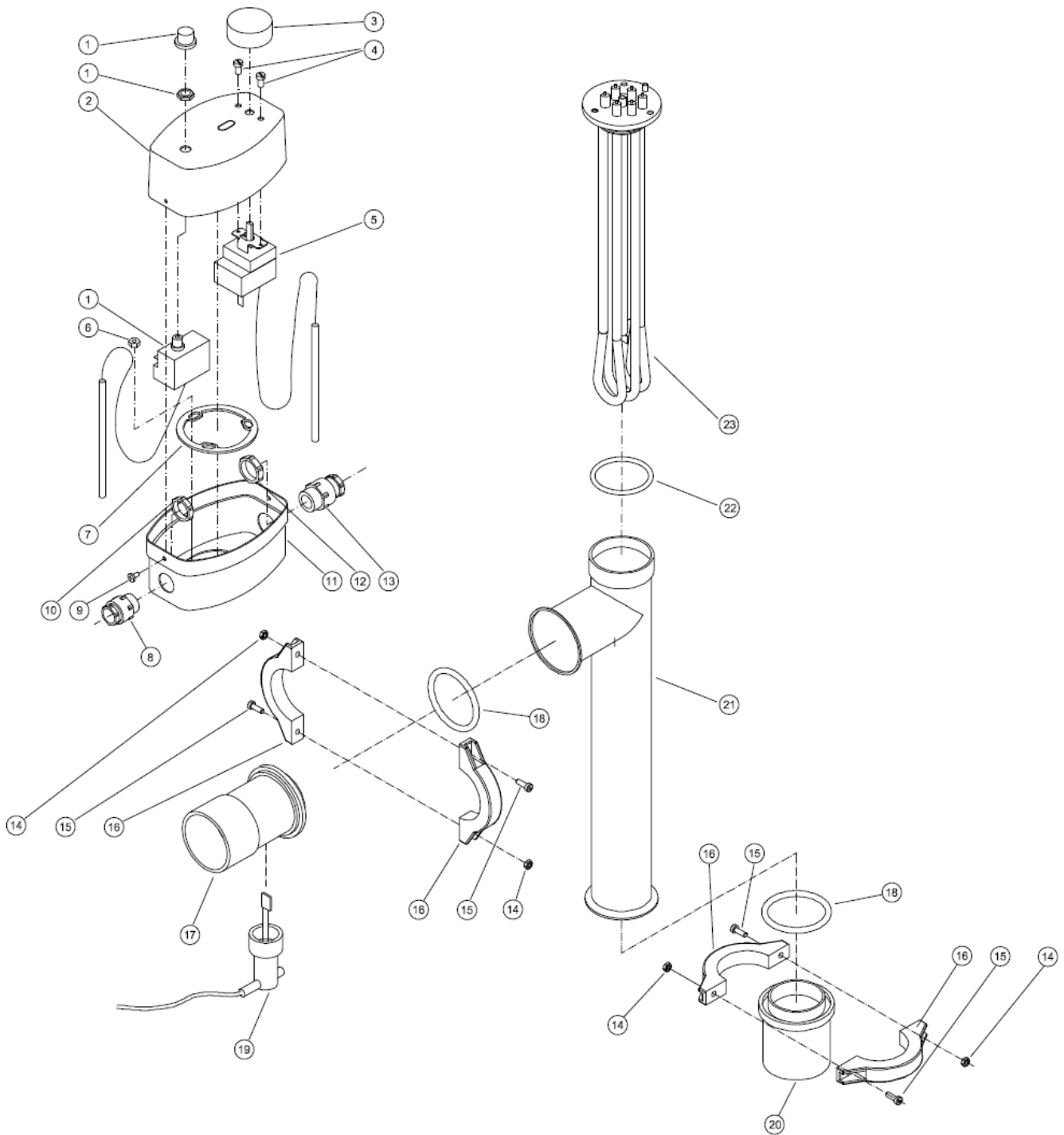


# electric heater Full Titanium D-EWT-Ti 3/6/9/12/18 kW



## Spare parts

no. Item	no. drawing	material	description of spare part
11 09 68	1	various	safety thermostat 50°C
11 09 25	2	ABS	cap top part
11 09 78	3	plastic	temperature regulator
11 09 47	4	stainless steel	screw M4x4
11 09 26	5	various	thermostat 0-40°C
11 04 04	6	stainless steel	nut M4
11 09 30	7	stainless steel	mounting ring
11 09 39	8	various	cabl gland PG 11
11 09 43	9	stainless steel	self-tapping screw 3,9 x 6,5
11 09 40	10	polystyrene	lock nut PG11
11 09 22	11	ABS	cap bottom part (1,5 + 3 + 6 kW)
11 09 23	11	ABS	cap bottom part (9 + 12 kW)
11 09 24	11	ABS	cap bottom part (15 + 18 + 24 kW)
11 09 37	12	polystyrene	lock nut PG 13,5 (1,5 + 3 + 6 kW)
11 19 03	12	polystyrene	lock nut PG 16 (9 + 12 kW)
11 19 05	12	polystyrene	lock nut PG 21 (15 + 18 + 24 kW)
11 09 36	13	polystyrene	cabl gland PG 13,5 (1,5 + 3 + 6 kW)
11 19 02	13	polystyrene	cabl gland PG 16 (9 + 12 kW)
11 19 04	13	polystyrene	cabl gland PG 21 (15 + 18 + 24 kW)
11 04 04	14	stainless steel	nut M4
11 29 01	15	stainless steel	screw M4x16
11 29 03	16	PP 30% GF	clamp
11 09 59	17	ABS	gluing socket D 50x3/4"
11 24 05	18	Silicon 70 Shore	O-ring 47,5 x 5,34
11 09 52	19	Noryl	flow switch
11 29 02	20	ABS	gluing socket D 50 mm
12 25 01	21	titanium	housing (3 kW)
12 25 02	21	titanium	housing (6 + 9 kW)
12 25 03	21	titanium	housing (12 kW)
12 25 05	21	titanium	housing (18 kW)
11 09 01	22	NBR 70 Shore	OR- 45,7x2,62
10 02 28	23	titanium	heating element (3 kW)
10 02 29	23	titanium	heating element (6 kW)
10 02 30	23	titanium	heating element (9 kW)
10 02 31	23	titanium	heating element (12 kW)
10 02 32	23	titanium	heating element (18 kW)