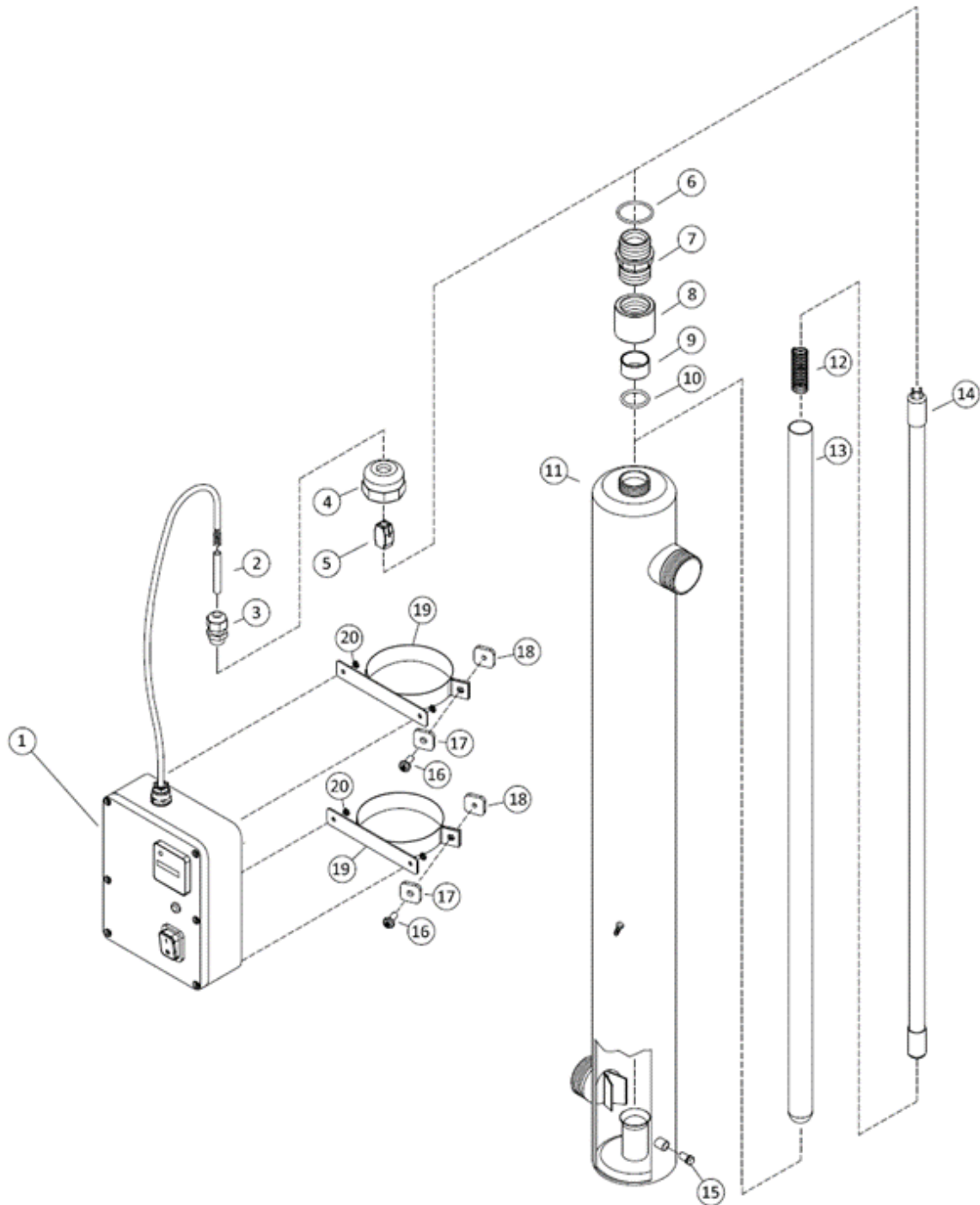


Disinfection technology Easy-UV-Ti 5-15 m³/h



Spare parts

no. Item	no. drawing	material	description of spare part
12 22 11	1	various	electric control with cable
14 06 01	2	silicone	insulation tube
11 04 14	3	polystyrene	cable gland Pg 9
11 03 08	4	PVC	lid 1"
11 04 40	5	ABS	plug
11 01 11	6	NBR 70 Shore	o-ring 28,17 x 3,53
11 03 07	7	PVC	double nipple 1"
11 03 12	8	stainless steel	socket 1"
11 03 13	9	stainless steel	pressure ring
11 03 05	10	NBR 70 Shore	o-ring 24,2 x 3
12 44 13	11	titanium	housing
11 03 16	12	stainless steel AISI	spring
11 04 48	13	glass	quarz tube
10 06 03	14	glass	UV lamp 80W
11 41 08	15	PVC	drain stopper 1/2"
11 12 05	16	stainless steel	cross screw M6 x 18 mm
11 03 15	17	stainless steel AISI	square washer 22 x 22 x 6,5
11 03 14	18	stainless steel AISI	square washer 22 x 22 x 5
12 22 05	19	stainless steel AISI	connection clamp
11 04 04	20	stainless steel AISI	nut M4